

# SMT-1721/1921

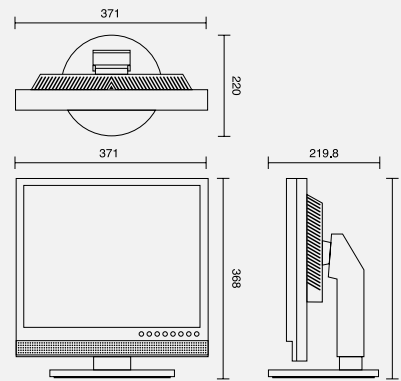
17"/19" TFT-LCD Monitor

## Features

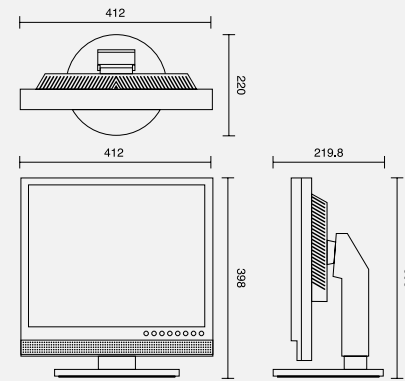
- 1280x1024 Resolution
- 1000:1 High Contrast Ratio
- 300cd/m<sup>2</sup> High Brightness
- 5ms Response Time
- BNC Loop Through, S-Video, VGA Inputs
- Built-in Speakers
- Tempered Glass

## Net Dimensions(mm)

SMT-1721



SMT-1921



## Specifications

Model	SMT-1721	SMT-1921
Broadcasting System	NTSC/PAL System	
Inch	17"	19"
Display Type	SXGA a-Si TFT-LCD	
Resolution	1280 X 1024	
Brightness(cd/m <sup>2</sup> )	300	
Contrast	1,000:1	
Response Time	5msec	
Viewing Angle Degree	80/80/80/80	
Active Display Area(mm)	338 x 270(H x V)	376 x 301(H x V)
Pixel Pitch(mm)	0.264 x 0.264	0.294 x 0.294
Scan System	Progressive	
Color System	NTSC 3.58/PAL 4.43	
Screen Mode	4:3	
2D Comb Filter	Yes	
Noise Reduction	Yes	
PIP	Yes	
Freeze	Yes	
Under Scan	Yes	
Video	2Ch input, 1.0Vp-p, 75Ω terminated, Loop Through out, BNC Type	
S-Video	1Ch input(Y/C), Loop Through out	
VGA	1Ch input	
Audio	2Channel input, 2W Stereo, RCA Type	
OSD	11 Language (Eng/Fre/Ger/Spa/Ita/Rus/Swe/Por/Kor/Chn/Jpn)	
HAS Stand	0 ~ 100mm	
Tilt	-5° ~ 23°	
Swivel	-165° ~ +165°	
Weight	5.95Kg	6.85Kg
Physical Specification	371 x 368 x 220 (W x H x D / Lowest)	
	371 x 468 x 220 (W x H x D / Hightest)	
Electric Performance	100 ~ 240V	
Power Consumption	42W	

\*Design and specifications are subject to change without notice



SMT-1721/1921

imagine giving your security personnel the best tools

Give the people that protect you and your property the best tools to do their job. The SMT-1721/1921 gives your security personnel the best picture available in the industry to ensure that even the smallest detail is not missed.



SAMSUNG ELECTRONICS CO., LTD.

416 Maetan-3Dong, Yeonggong-Gu, Suwon-City, Gyeonggi-Do, Korea 443-742  
Tel: +82-31-277-3342-7 Fax: +82-31-277-6594  
http://www.securitysamsung.com

Distributed by



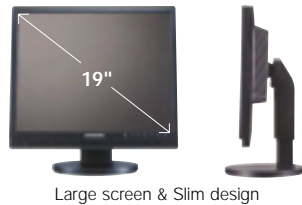


# SMT-1721/1921 Samsung Security Monitor

Robbery, theft, injury...  
Rest assured, trust SMT-1721/1921

The SMT-1721/1921 LCD monitor gives you the sharpest picture in the industry to ensure that no event goes unnoticed and no evidence goes unseen.

Samsung LCD Monitors let your personnel keep a vigilant watch on your business, casinos, or office buildings where people's security and safety are most critical. The SMT-1721/1921 with the best picture in the market will ensure that your personnel will not miss any critical event and keep your business safe and secure and your profits up.



Large screen & Slim design



High Definition Color Screen

## What can you do with Samsung Security Monitors?

- When you want to observe a situation without being there.
- When you want to monitor your home and business, you can monitor with the clearest and the most vivid pictures.



Department store



Casino



Office building



Warehouse



jewelers

### Premium 17", 19" LCD Monitor / Tempered glass

Samsung's premium 17" and 19" security LCD Monitors with tempered glass prevent any damages to your monitor.

Also, with the ergonomic and elegant design, your security cameras will go well with any environment.



### Contrast ratio 1000:1

SMT-1721/1921's high contrast provides the clearest and the most vivid color contrast to monitor your property as well as the background.



### Brightness 300cd/m<sup>2</sup>

With a 300cd/m<sup>2</sup> brightness, your images will be the clearest and the most vivid even pinpointing the smallest of details. Also, with the brightness of the Samsung Security Monitor, even when you are checking your monitor, your eyes will not get tired allowing you more time to monitor your business.



### HAS (Height Adjustment Stand) stand

SMT-1721/1921 features the HAS Stand allowing a Lift of 0-100mm, Tilt of 0-23° and Swivel of -175° to +175°.

Also, you can manually control and position your security cameras for your convenience.



### PIP (Picture in Picture), Audio

With Picture in Picture, you can monitor the guest/customer directly on the main monitor while simultaneously checking your recorded videos/pictures on the other windows. Also, with the Audio-on feature, you can easily interact with people inside of your business by talking.



PIP (Picture in Picture)